

## Features

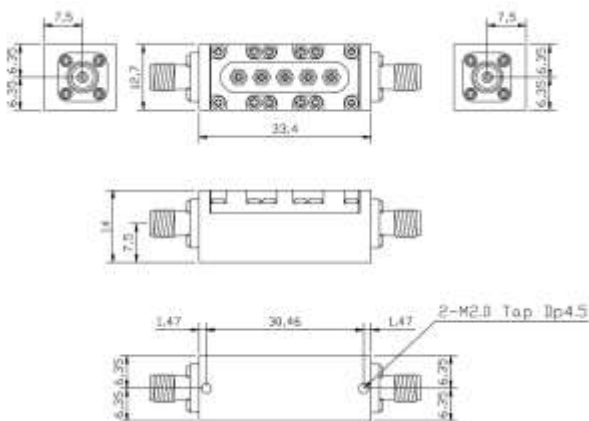
- Cavity Band Pass Filter (7,145 MHz ~ 7,235 MHz)
- Very compact size and low weight
- Typical 0.8 dB Insertion Loss



## Specifications

Parameter	Specifications	Remarks
Frequency Range	7,145 ~ 7,235 MHz	BW : 90 MHz
Center Frequency	7,190 MHz	
Insertion Loss (Max.)	1.2 dB	
Pass Band Ripple (Max.)	0.5 dB	
VSWR (Max.)	1.5 : 1	
Rejection (Min.)	60 dBc @ 6,190 MHz	
In/ Out Impedance	50 Ω	
Handling Power (Max.)	CW 1 W	
Operation Temperature Range	-20 °C ~ +70 °C	
Dimensions	33.4 * 12.7 * 14 mm	Exclude Connectors
Connector	SMA (Female)	

## Outline drawing



## Typical Response

